

STAINLESS STEEL CASE BAYONET RING, LIQUID FILLABLE MODEL: 1210



Specifications:

Norminal size:

50mm, 63mm, 75mm, 100mm, 150mm

Design:

EN 837-1

Accuracy class:

50mm: 2.5

63mm, 75mm: 1.6

100mm, 150mm: 1

Scale range:

Pressure: 0-0.6 to 600bar

Vacuum: -1bar to 0

Compound: -1 to 24bar

or other equivalent units of pressure or vacuum

Operating temperature:

Ambient: -40+70 deg C

Medium: +70 deg C

Protection class: IP 65

Applications:

- Measuring pressure of gas or liquid which is non-corrosive, explosive and no crystallization, precipitation. The most notable character is they can test pressure properly even installed on violent vibration machine or equipment.
- Applicable to working environment with intense vibration, machinery and equipment operational for a long time.

Material:

Case: Stainless steel

Bezel ring: Bayonet ring

Window: Toughened ring

Standard filling: Glycerin

Dial plate: Aluminum, pointer stop, white background. Black marking for single scale, black and red for dual scale.

Pointer: Black aluminum

Bourdon tube: Copper alloy

<100bar: C shape

≥100bar: Helical type

Connection: Brass

Movement: Brass

Connection:

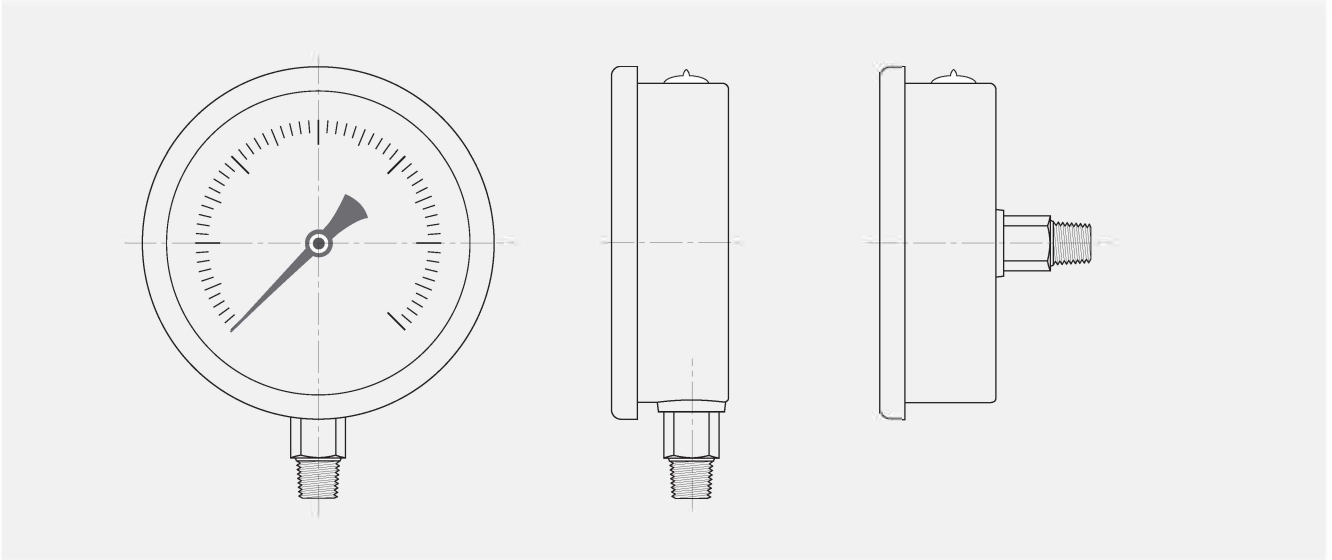
50mm, 63mm, 75mm, 100mm: 1/4"BSP

100mm, 150mm: 1/2"BSP

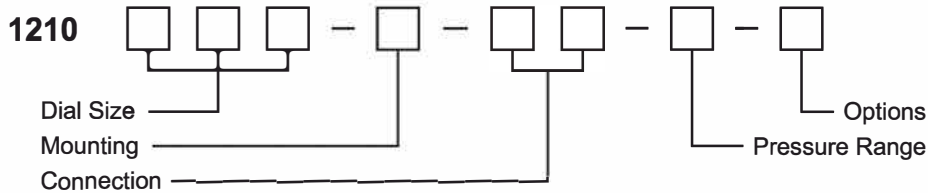
Options:

- NPT, BSPT or other process connection
- Restrictor (RS)
- Double dial range or other dial ranges
- Silicone oil filling, refrigeration scale
- Adjustable pointer for 100mm, 150mm for option

Dimension drawing



How to order:



Code	Dial Size
050	50mm (2")
063	63mm (2.5")
075	75mm (3")
100	100mm (4")
150	150mm (6")

Code	Connection
4	1/4"
2	1/2"
N	NPT
B	BSP with end stub
T	BSPT

Options
See options

Pressure Range
See Standard Pressure Ranges

Code	Mounting
A	Bottom Connection
B	Back Connection
C	Bottom Connection with back flange
E	Back Connection with front flange
F	Back Connection with Lens-clamp

Code	Liquid filling
D	Dry but fillable
G	Glycerin
S	Silicone

